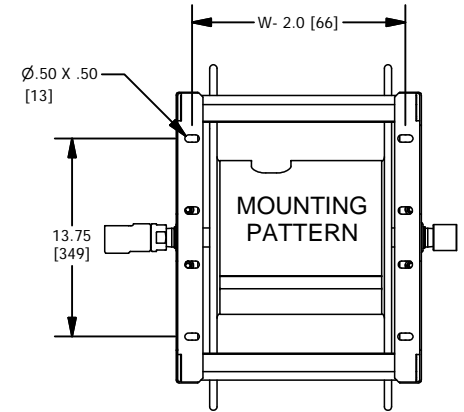
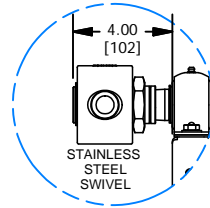
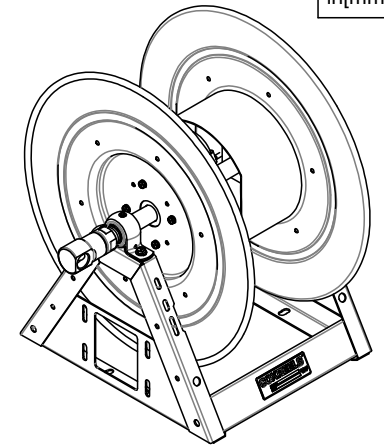
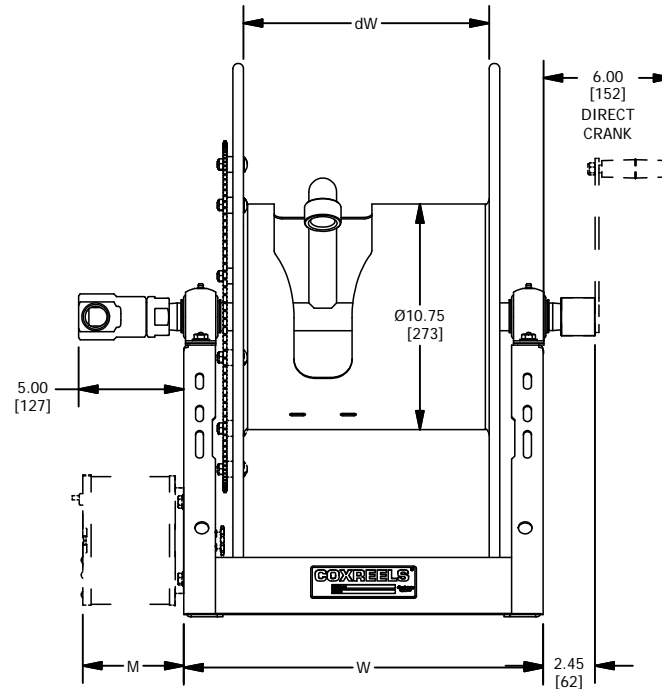
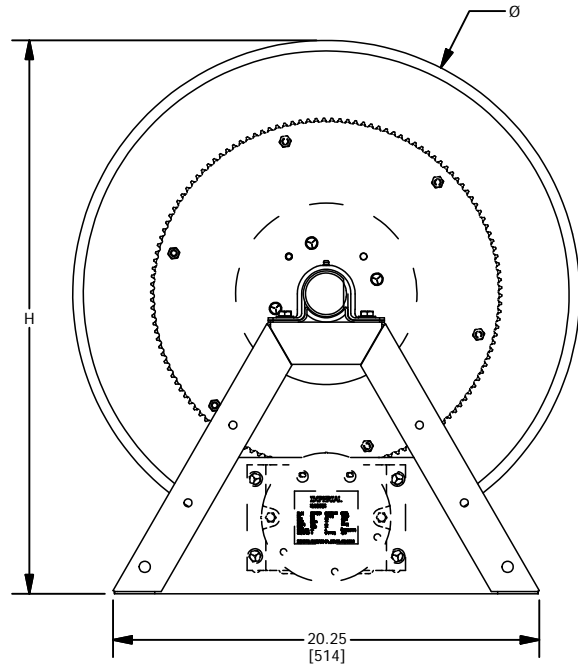


in[mm]



MOTOR DRIVE SYSTEM	DIMENSION "M" in[mm]	ADD TO WEIGHT lb [kg]
ELECTRIC MOTOR: 1/3 HP (12VDC, 24VDC)	4.88 [124]	13 [6]
ELECTRIC MOTOR: 1/2HP (12V & 24VDC, 115V & 230V AC)	6.59 [167]	26 [12]
AIR MOTOR (4 VANE, ALUMINUM)	3.93 [100]	6 [3]
AIR MOTOR (6 VANE, IRON)	5.42 [138]	8 [4]
HYDRAULIC	3.77 [96]	6 [3]

SPECIFICATIONS		
FEATURE	SPEC.	OPTION
PRESSURE	3000 PSI [275 BAR]	-
TEMPERATURE (HOSE DEPENDANT)	-40 F TO 225 F [-40 C TO 107 C]	-60 F TO 400F [-51 C TO 204 C]
INLET THREAD	1" NPT FEMALE	-
OUTLET THREAD	1" NPT FEMALE	1" NST MALE / 1" BSP FEMALE

PART NUMBER

CAPACITY — COLOR — ROLLERS & SETUP

1175 - 6 - XX - XX - BXXX

MOTOR, CRANK & BRAKE OPTIONS | PLUMBING & SWIVEL OPTIONS

MATERIAL SPECIFICATIONS		
COMPONENT	MATERIAL	OPTIONS
PLUMBING	STEEL	302 STAINLESS STEEL
SWIVEL	NI PLATED STEEL	440 STAINLESS STEEL
SEALS	AFLAS	NITRILE, VITON, EPDM
REEL	STEEL	304 STAINLESS STEEL
BEARINGS	BRONZE, SELF LUBE	-
DRAG BRAKE	NYLON	BRAKE PAD COMPOSITE
CHAIN GUARD	STEEL	-
FINISH	BLUE POLYESTER POWDER COAT	RED (R), GREEN (N), WHITE (W), BLACK (WRINKLE C) / GLOSS (K), GREY (G)

MODEL	Ø in[mm]	dW in[mm]	W in[mm]	H in[mm]	1" (1.44" OD) CAPACITY ft[m]	3/4" (1.25" OD) CAPACITY ft[m]	SHIPPING WEIGHT lb[kg]
1175-6-50	24"	7.5 [191]	13 [330]	26.13 [664]	50 [15]	100 [30]	36 [16]
1175-6-100	24"	11.5 [292]	17 [432]	26.13 [664]	100 [30]	150 [46]	39 [18]
1175-6-125	24"	13.5 [343]	19 [483]	26.13 [664]	125 [38]	200 [61]	48 [22]
1175-6-135	20"	20 [508]	25.5 [648]	22.88 [581]	135 [41]	175 [53]	52 [24]
1175-6-150	24"	15.5 [394]	21 [533]	26.13 [664]	150 [46]	250 [76]	58 [26]
1175-6-200	24"	20 [508]	25.5 [648]	26.13 [664]	200 [61]	300 [91]	38 [17]

UNLISTED OPTIONS & CUSTOM REELS

NOT ALL OPTIONS ARE LISTED, CONTACT YOUR SALES REPRESENTATIVE OR FACTORY FOR ADDITIONAL OPTIONS & CUSTOM MODIFICATIONS

COXREELS

5865 S Ash Avenue Tempe, Az 85283
 1-800-COX-REEL www.coxreels.com

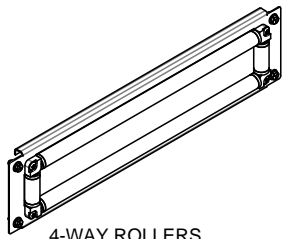
THIS DOCUMENT CONTAINS PROPRIETARY INFORMATION AND IS THE PROPERTY OF COXREELS, INC. THE COPYING, DISTRIBUTION AND UTILIZATION OF THIS DOCUMENT AS WELL AS COMMUNICATION OF ITS CONTENT TO OTHERS WITHOUT THE WRITTEN AUTHORIZATION OF COXREELS, INC., IS PROHIBITED.

TITLE: **1175 SERIES**

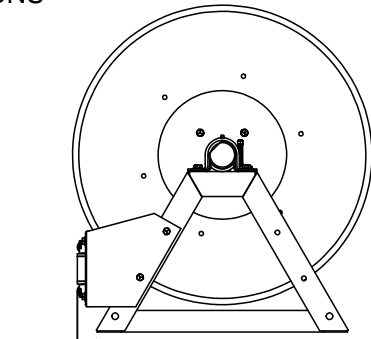
DWG. NO.: 1175 SERIES	REV. -
3RD ANGLE	INTERPERT PER ASME : Y14.5M-1994 DO NOT SCALE DWG.
SIZE: A	SHT: 1 OF: 2

ROLLER BRACKET OPTIONS

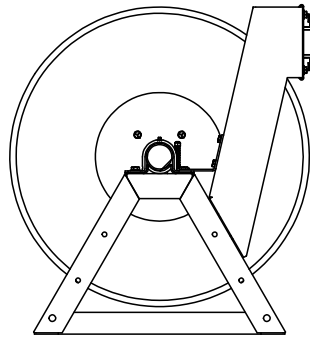
in[mm]



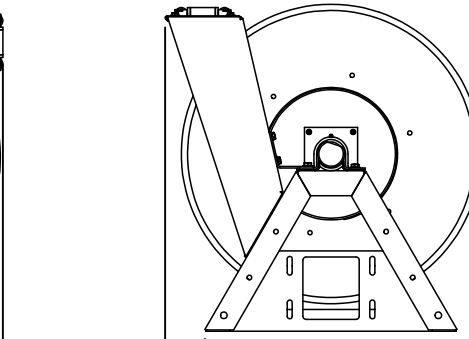
4-WAY ROLLERS
STAINLESS STEEL
Ø1" ROLLERS



BOTTOM
4-WAY ROLLERS

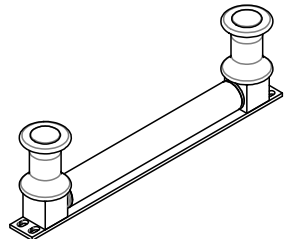


TOP
4-WAY ROLLERS

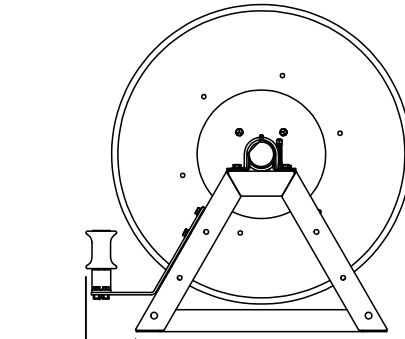


CEILING
4-WAY ROLLERS

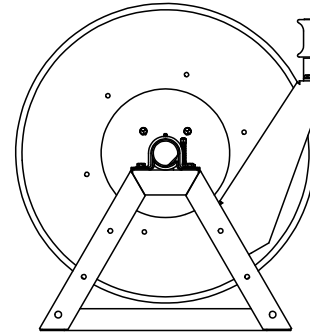
ROLLER TYPE	OFFSEET FROM BASE in[mm]
4-WAY ROLLERS (BOTTOM)	1.49 [38]
4-WAY ROLLERS (TOP)	2.07 [52]
3-WAY ROLLERS (BOTTOM)	3.92 [100]
3-WAY ROLLERS (TOP)	2.92 [74]



3-WAY ROLLERS
STAINLESS STEEL
Ø1.5" ROLLER
CHROME PLATED
STEEL SPOOLS



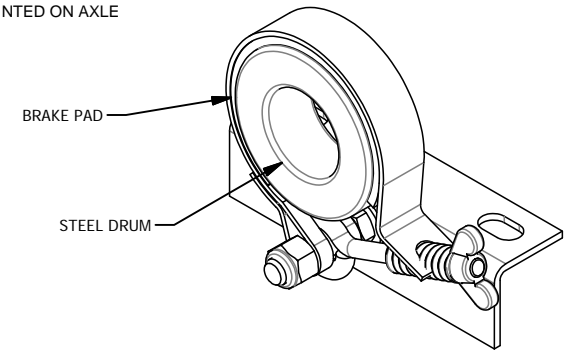
BOTTOM
3-WAY ROLLERS



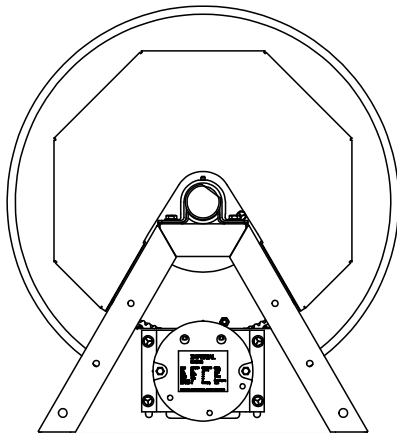
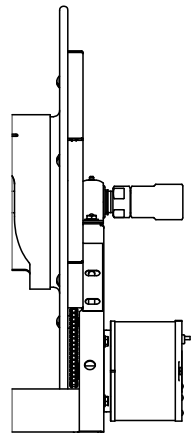
TOP
3-WAY ROLLERS

BRAKE OPTIONS

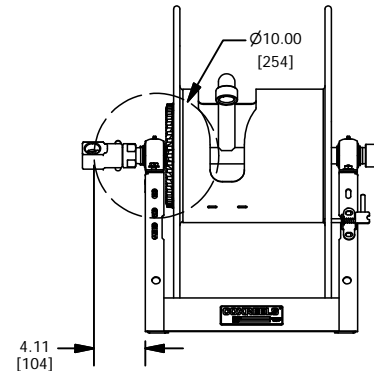
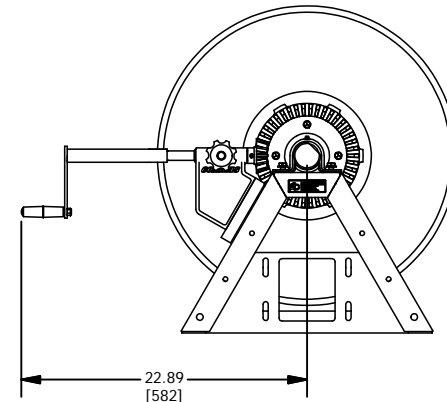
HEAVY DUTY BAND BRAKE
BAND TYPE BRAKE WITH BONDED BRAKE PAD
STEEL BRAKE DRUM MOUNTED ON AXLE



GUARDING OPTIONS
STEEL GEAR GUARD



BEVEL CRANK
BEVEL CRANK WITH
REMOVABLE HANDLE



COXREELS
5865 S Ash Avenue Tempe, Az 85283
1-800-COX-REEL www.coxreels.com
THIS DOCUMENT CONTAINS PROPRIETARY
INFORMATION AND IS THE PROPERTY OF COXREELS,
INC. THE COPYING, DISTRIBUTION AND UTILIZATION
OF THIS DOCUMENT AS WELL AS COMMUNICATION
OF ITS CONTENT TO OTHERS WITHOUT THE WRITTEN
AUTHORIZATION OF COXREELS, INC., IS PROHIBITED.

TITLE: 1175 SERIES OPTIONS & ACCESSORIES	
DWG. NO.: 1175 SERIES	REV. -
3RD ANGLE	INTERPERT PER ASME : Y14.5M-1994 DO NOT SCALE DWG.
SIZE: A	SHT:2 OF:2